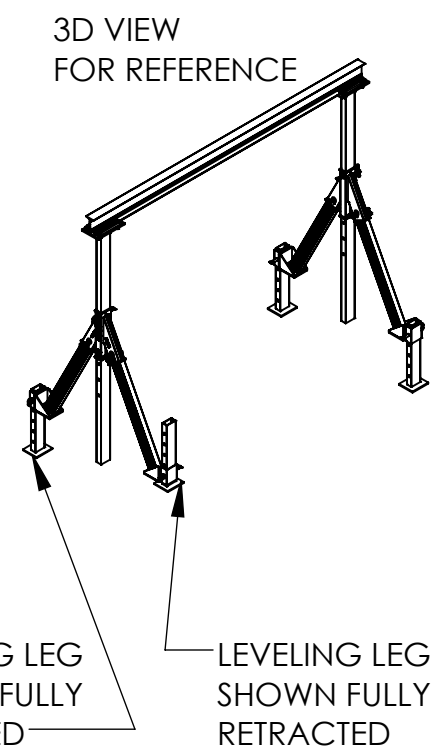
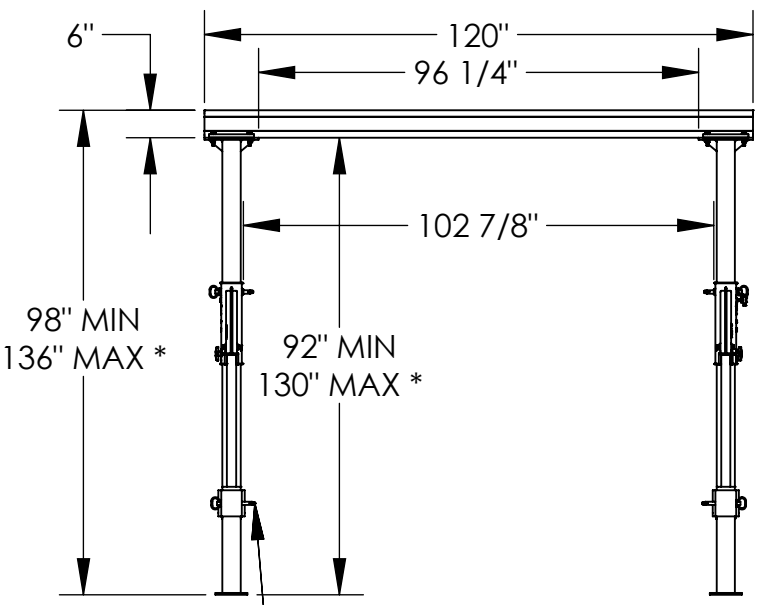
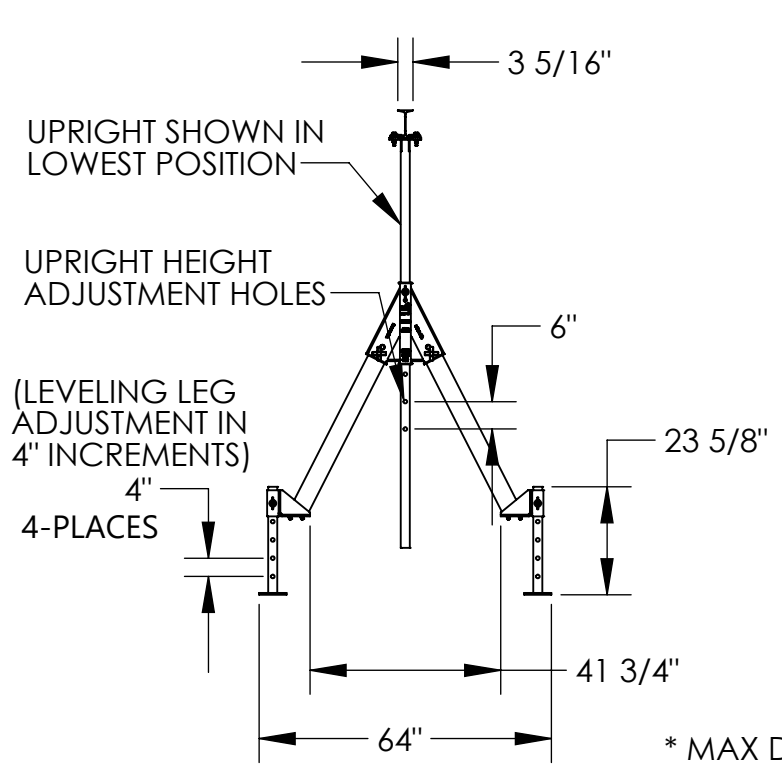


# LEVELING ADJUSTABLE HEIGHT ALUMINUM GANTRY - AHA-2-10-10-ALO

APPROX WEIGHT: 220.67 lbs.  
 DOES NOT INCLUDE WEIGHT OF POWER OR PACKAGING!!!

\*\*\* ANY ADDITIONS, DELETIONS, OR OMISSIONS MUST BE CORRECTED ON THIS DRAWING AS THIS DRAWING WILL BE CONSIDERED ALL INCLUSIVE \*\*\*  
 ALL GRAPHICS PROVIDED ARE FOR REFERENCE ONLY. IF CERTAIN DIMENSIONS ARE CRITICAL PLEASE VERIFY THOSE DIMENSIONS WITH YOUR SALESPERSON



\* MAX DIMS WITH LEGS FULLY EXTENDED.  
 EASY PIN REMOVAL ALLOWS QUICK POSITIONING OF THE (4) LEVELING LEGS

## STANDARD FEATURES

- MODEL NUMBER IS AHA-2-10-10-ALO
- CAPACITY IS 2,000 LBS.
- BASE WIDTH IS 64"
- MAX OVERALL HEIGHT IS 136" \*
- I-BEAM SIZE IS 6" TALL WITH 3 5/16" FLANGE WIDTH
- OVERALL I-BEAM LENGTH IS 120"
- USABLE I-BEAM LENGTH IS 96 1/4"
- LEVELING LEG HEIGHT IS INDIVIDUALLY ADJUSTED UP TO 16" MAX. TO LEVEL CRANE
- UNDER I-BEAM HEIGHT MAY BE ADJUSTED IN 6" INCREMENTS USING THE 6 HOLES IN THE UPRIGHTS
- ADJUSTABLE UNDER I-BEAM HEIGHT 92" MIN. 130" MAX. \*
- CRANE MAY BE TAKEN APART AND BUNDLED WITH (2) INCLUDED STRAPS FOR EASY TRANSPORT
- ALUMINUM CONSTRUCTION

## SPECIAL FEATURES

NONE

DIMENSION TOLERANCE ± 1/4"

**APPROVAL**

I, THE UNDERSIGNED, AGREE THAT THE PRODUCT AS REPRESENTED SATISFIES DESIGN AND DIMENSION REQUIREMENTS. I ALSO ACKNOWLEDGE MY DUTY TO CONFIRM PRODUCT AND INSTALLATION COMPLIANCE WITH ALL APPLICABLE FEDERAL, STATE AND LOCAL REGULATIONS AND STANDARDS.

**UNITS REQUIRING APPROVAL DRAWINGS OR MODIFIED ARE NON-RETURNABLE**

As drawn     As marked

Signed: \_\_\_\_\_ Date: \_\_\_\_\_

Printed Name: \_\_\_\_\_

*LEAD TIME WILL START UPON RECEIPT OF SIGNED APPROVAL DRAWING*

DISTRIBUTOR'S NAME:		P.O.#
VESTIL MANUFACTURING		X
DRAWN BY: MTS	DATE: 10/11/2019	W.O.#
REFERENCE: X	SCALE: 1:42	X
QUOTED LEAD TIME: X	QUOTE #	SALES: X
	X	FILE NAME:
		28-007-421